



Thermi-Scan Face Analysis Access Control System

Thermi-Scan is a face analysis access control system that works standalone or integrates with existing access control to allow entry based on any combination of face recognition, normal temperature, mask detection and QR code or card entry.

The digital detection module supports rapid body temperature detection. This means that the product can achieve face recognition and temperature detection at the same time and supports warnings for people with an abnormal body temperature. It can be widely applied in crowded places, such as smart communities, schools, office buildings, hospitals and other important areas.



Wall mounted



Floor stand mounted

KEY FEATURES

- ◆ Non-contact detection
- ◆ Abnormal body temperature warning
- ◆ Measurement range between 30°C to 45°C
- ◆ Accuracy of up to 0.3°C
- ◆ Built-in deep learning dedicated chip
- ◆ Speed of Facial Recognition is 0.2 seconds
- ◆ Supports Face Recognition, Card Reader, Body temperature, Mask Detection and QR code authentication
- ◆ Two-way audio recorded

ADDITIONAL FEATURES

- ◆ Body temperature and personnel information binding
- ◆ Configurable temperature detection threshold
- ◆ Measurement distance is 1 metre
- ◆ Deep learning Face recognition accuracy rate > 99%, false detection rate < 1%
- ◆ Built-in deep learning dedicated chip
- ◆ Supports local offline recognition
- ◆ 10,000 face capacity, face whitelist (1:N)
- ◆ WDR, 2MP (1080P) low light wide-angle camera and F1.6 large aperture lens for capturing high quality images with complex lighting
- ◆ Supports 3D Thermal Face detection detection based on deep learning algorithm, effective against fraud such as photo and video
- ◆ Suggested height for face recognition: 0.8m to 2.2m, face recognition distance: 0.2m to 2.9m
- ◆ Screen sleep mode
- ◆ Database can hold up to 6 photos per person
- ◆ Supports video capture, supports ONVIF protocol
- ◆ Built-in 4G EMMC front end storage
- ◆ Supports tamper protection, supports door open timeout and time exceeded alarm function to keep doors open during active fire alarm

Thermi-Scan Face Analysis Access Control System

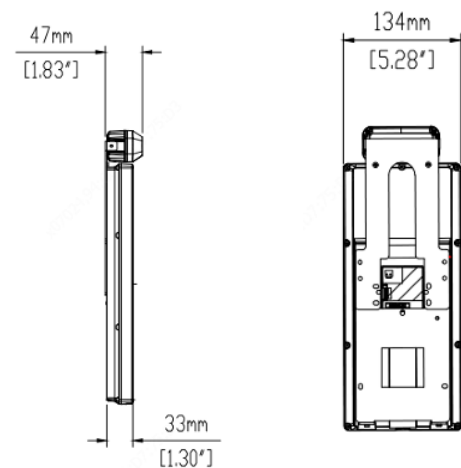
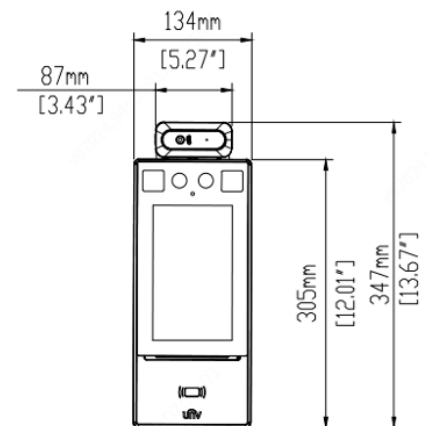
KEY FEATURES

CAMERA

FEATURES PARAMETER	DESCRIPTION
Operation System	Linux
Face Recognition Accuracy Rate	≥99%
Face Recognition Time	200ms
Face Capacity	10,000
Card Capacity	100,000
Storage Capacity	4GB
Event Capacity	8,000 (with images)
Measurement Range	30°C - 45°C
Measurement Accuracy	0.1°C
Measurement Deviation	≤0.3°C
Measurement Distance	1m
Authentication Methods	Face Recognition
	Card Reader
	Body temperature
	Mask Detection
Communication Mode	QR code
	10/100Mbps adaptive network port
Card Type	Mifare 1 Card
User Management	Supports multiple users, Admin and User accounts
Record Management	Supports local recording and real-time upload
Interface	LAN x1, Wiegand Input x1, Wiegand Output x1, RS485 x1, Alarm Input x2, Alarm Output x1, USB2.0 x1, Lock Relay x1, Exit Button x1
Power Supply	12V DC 2.5amp PSU
Screen	7" Touch Screen, Resolution: 600×1024
Camera	Dual Lens, 2MP, 1080P
Supplement Light	LED soft light and infrared light
Dimensions (LWH)	For terminal : 134mm x 33mm x 305mm
Working Environment	For terminal: -20°C to 65°C, Relative Humidly 95% (non-condensing) For module: 15°C to 30°C
Protection Level	Both terminal and module: IP 54
Application Situation	Indoor, No wind

DIMENSIONS

All dimensions are in mm



Thermi-Scan Face Analysis Access Control System

KEY FEATURES

ACCESSORIES

FDP-BRACKET

Floor Stand for FDP-3000 allows adjustable lens height of 1158mm-1420mm

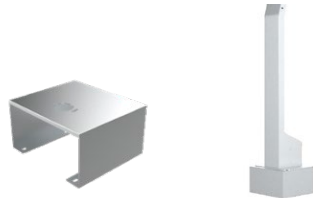


Adjustable Height

Floor-stand installation, lens height 1158mm-1420mm adjustable

FDP-BASE

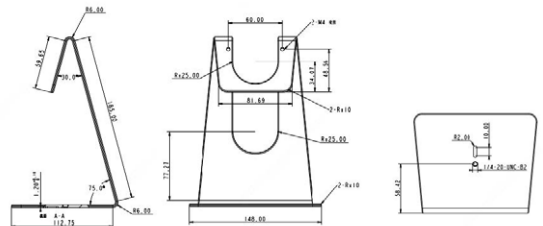
Additional 150mm Base Bracket to work with FDP-BRACKET



Adds 150mm height to the FDP-Bracket

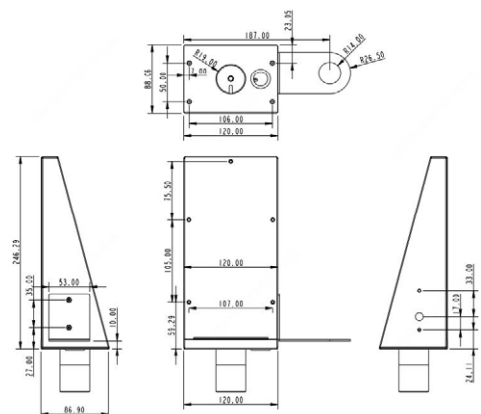
FDP-DESKTOP

Desktop bracket for FDP-3000 Standalone or in conjunction with FDP-TRIPOD



FDP-TRISUP

Bracket to be used in conjunction with FDP-TRIPOD



FDP-TRIPOD

Tripod stand for FDP-3000



Adjustable Height